

REV.	LTR.	DESCRIPTION	SIGN	DATE

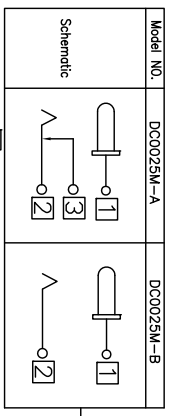
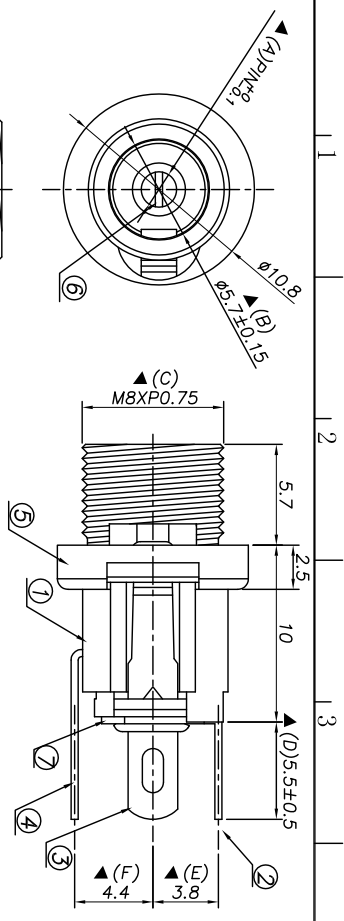
Ordering information:

DC0025M- (1) (2) (3)

(1): Series No

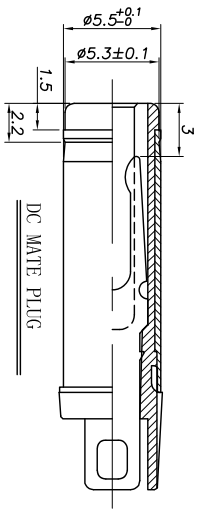
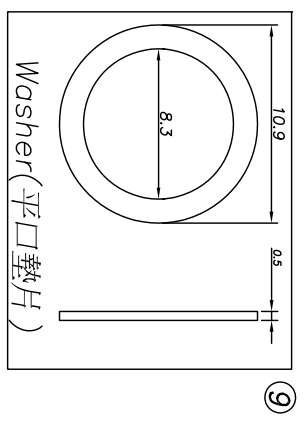
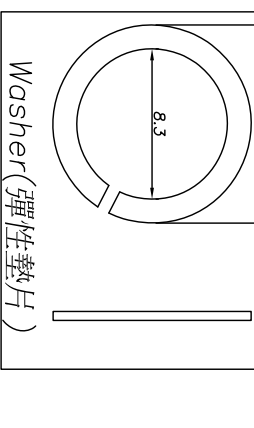
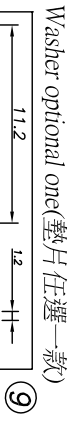
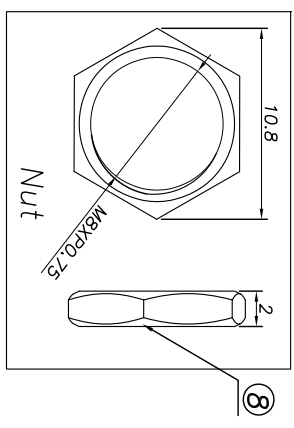
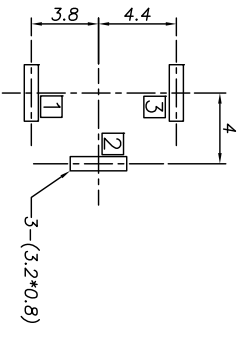
(2): Schematic option: A B

(3): Center pin diameter:H=2.0 I=2.35 J=2.5



Model No.	DC0025M-__H	DC0025M-__I	DC0025M-__J
PIN	φ2.0	φ2.35	φ2.5

RECOMMENDED P. C. B. LAYOUT
UNSPECIFIED TOLERANCE: ±0.05
(TOP VIEW)



Specification:

1. Rating : DC 30V 3A.
2. Contact resistance: ≤30m Ω.
After test: ≤50m Ω
3. Insulation resistance: ≥100M Ω (500VDC).
After test: ≥50M Ω
4. Withstanding voltage: 500VAC.
5. Insertion and extraction force: 3N~30N.
6. Life test: 5000cycles min.
7. Operation temperature range: -20℃~70℃.
8. Preservative temperature range: -40℃~85℃.
9. Sign "▲" is importance dimension.

⑨	Washer-2	1	Spcc	Nickel plating
⑧	Nut	1	Brass	Nickel plating
⑦	Washer-1	2	Bakelite	
⑥	Pin	1	Bronze	Nickel plating
⑤	Bushing	1	Brass	Nickel plating
④	Shunt Terminal	1	Brass	Copper&tin plating
③	Tip Spring	1	Phosphor bronze	Copper&tin plating
②	Center pin terminal	1	Brass	Copper&tin plating
①	Housing	1	PBT	Black

NO.	DESCRIPTION	QTY	MATERIAL	REMARK

UNIT:MM	TYPE:	MODEL NO.:	PAPER NO.:	SCALE	VER
	DC POWER JACK	DC0025M-__-__	A4	N/A	2

DESIGNER BY: Allen Xiao 2011.08.30

CHECK BY:
APPROVED BY:
BLUE SOURCES ELECTRONICS CO.,LTD.

丞永實業有限公司
BLUE SOURCES ELECTRONICS CO.,LTD.